

Part number:

**HYDROMA**

HYDRAULICKÉ SYSTÉMY

**HIDROMA  
SYSTEMS**

UKŁADY HYDRAULICZNE

**HYDROMA**

ГИДРАВЛИЧЕСКИЕ СИСТЕМЫ

spools with restricted service ports				
code	circuit	restriction on diameter (mm)	section (mm <sup>2</sup> )	hydraulic schema
<b>J10</b>	A-B IN T	0,10	2,66	
<b>K10</b>	A IN T	0,10	2,66	
<b>Y10</b>	B IN T	0,10	2,66	

CODE	spool type available		
	STANDARD A	METERED B	SOLENOID OPERATED E
<b>W001</b>	W001A	W001B	W001E
<b>W002</b>	W002A	W002B	W002E
<b>W003</b>	W003A	W003B	
<b>W004</b>	W004A	W004B	
<b>W005</b>	W005A	W005B	
<b>W006</b>	W006A	W006B	
<b>W009</b>	W009A	W009B	
<b>W010</b>	W010A		
<b>W011</b>	W011A		
<b>W012</b>	W012A		
<b>W013</b>	W013A		
<b>W015</b>	W015A		
<b>W016</b>	W016A		

NOTE:

- W012, W013, spools need a special machining on the valve body.
- W015, W016, spools need RS type body. Float spool (W012) need special detent kit (F005).
- Regenerative spool (W013) need special return spring kits.
- W001E and W002E spools are available only with Direct electric control (code H036 or H037).
- Different spools are available on request.

Plaes contact our Sales department for more information.

### Spool actuation classification for manual control

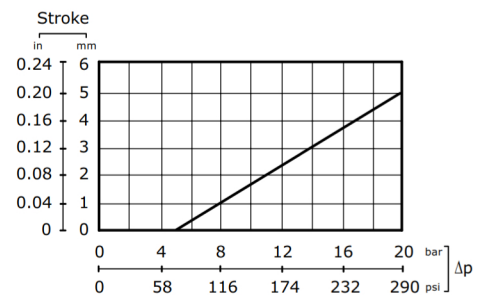
code	description	dimensions	configuration
<b>H001</b>	Protected lever		
<b>H002</b>	Protected lever rotated 180°		
<b>H004</b>	Control without lever		
<b>H019</b>	Protected lever with stroke limiter		
<b>H020</b>	Protected lever with stroke limiter rotated 180°		

### Spool actuation classification for Hydraulic control

code	description	dimensions	configuration
<b>H005</b> leave out the spool return action code	Hydraulic actuation with side ports  BSP ports = G 1/4 UNF ports = 9/16-18 UNF		

### Hydraulic pilot control curve

The diagram shows the spool stroke as a function of the pressure operating.

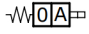
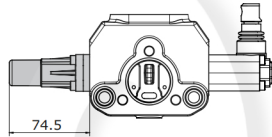
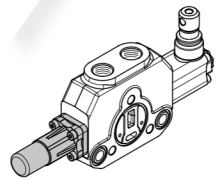
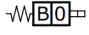
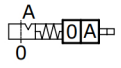
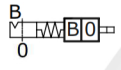

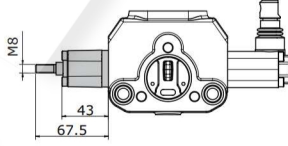
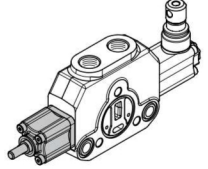


### Direct electrical control classification

code	description	dimensions	configuration
<b>H021</b> only for spool return action code: F0150-F0160	Direct electric control		
<b>H022</b> only for spool return action code: F0150-F0160	Direct electric control rotated 180°		

**NOTE:**  
the direct electric control use a type "E" special spool and a type "RPE" special body.  
Is available the Direct electric control without lever (code H024).

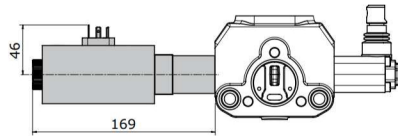
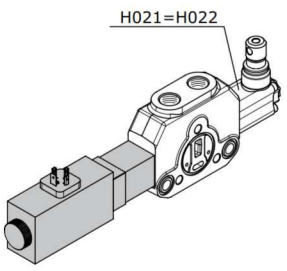
## Spool return action classification

code	description	schema	dimensions	configuration		
<b>F009A</b> <b>F009B</b> <b>F009C</b>	2 positions in A spring-centred spool		 			
<b>F010A</b> <b>F010B</b> <b>F010C</b>	2 positions in B spring-centred spool					
<b>F011A</b> <b>F011B</b> <b>F011C</b>	2 positions detent in A spring-centred spool					
<b>F012A</b> <b>F012B</b> <b>F012C</b>	2 positions detent in B spring-centred spool					
<b>F013A</b> <b>F013B</b> <b>F013C</b>	3 positions spring-centred spool prearrangement dual command				 	

## Direct electrical control identification

It allows for the remote activation on the valve through the use of electrical on/off switches.

Available voltages: 12V and 24V. Need a special machining on the valve body. Available just with spool W001E.

code	description	dimensions	configuration
<b>F0150</b> <small>only for spool actuation code: H021 H022-H024</small>	Direct electrical control (PUSH-PULL) 12 vdc (60 W - 5 A)		
<b>F0160</b> <small>only for spool actuation code: H021 H022-H024</small>	Direct electrical control (PUSH-PULL) 24 vdc (60 W - 2,5 A)		